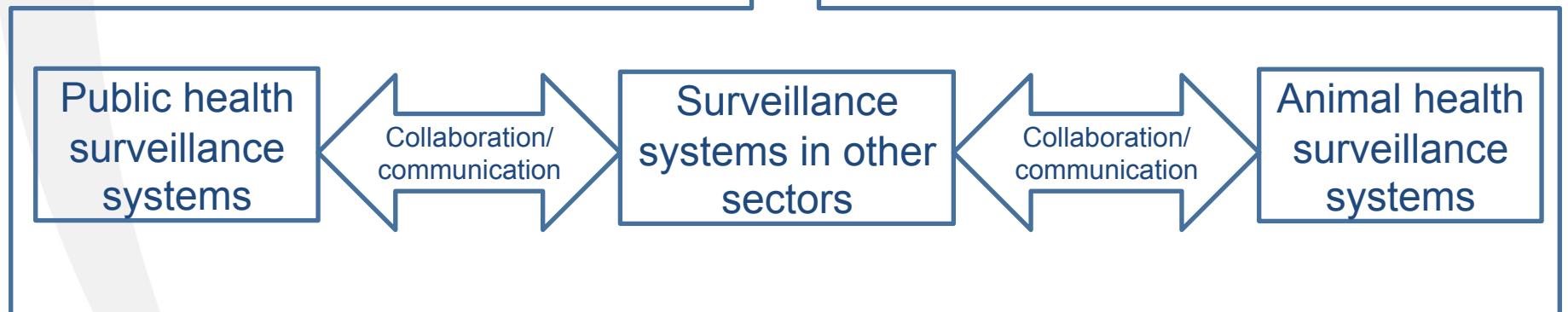
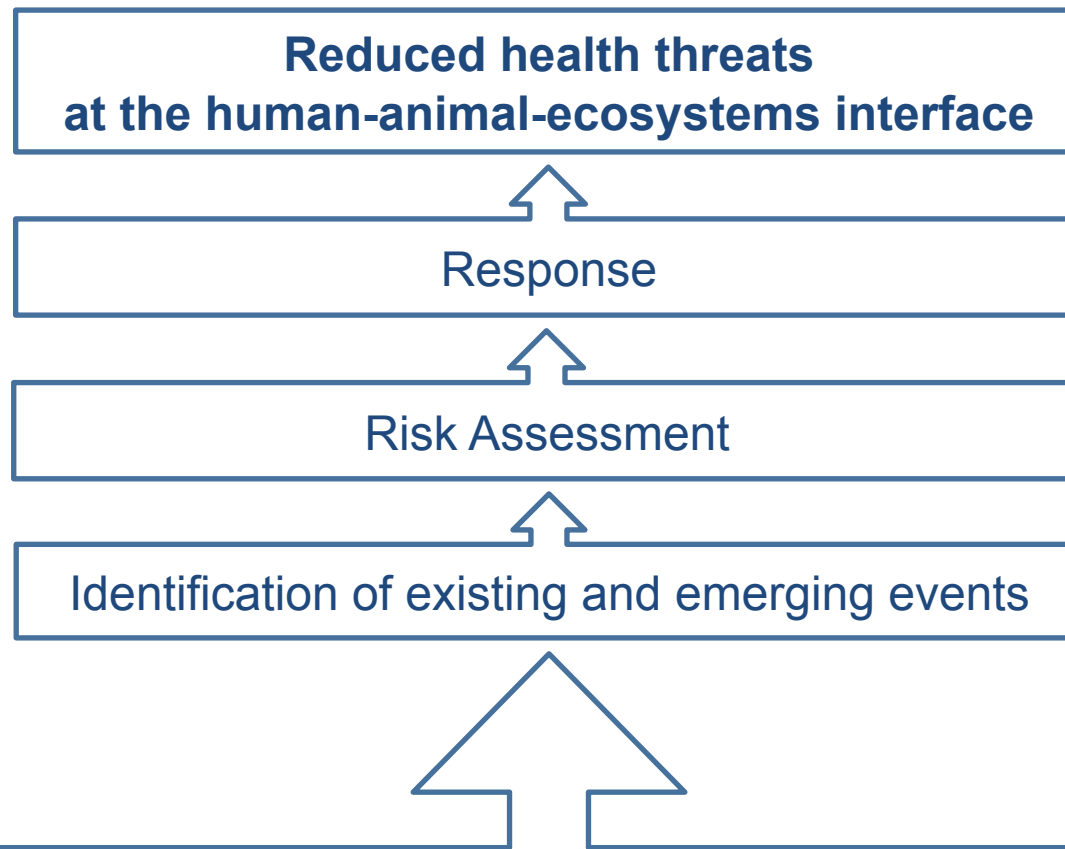


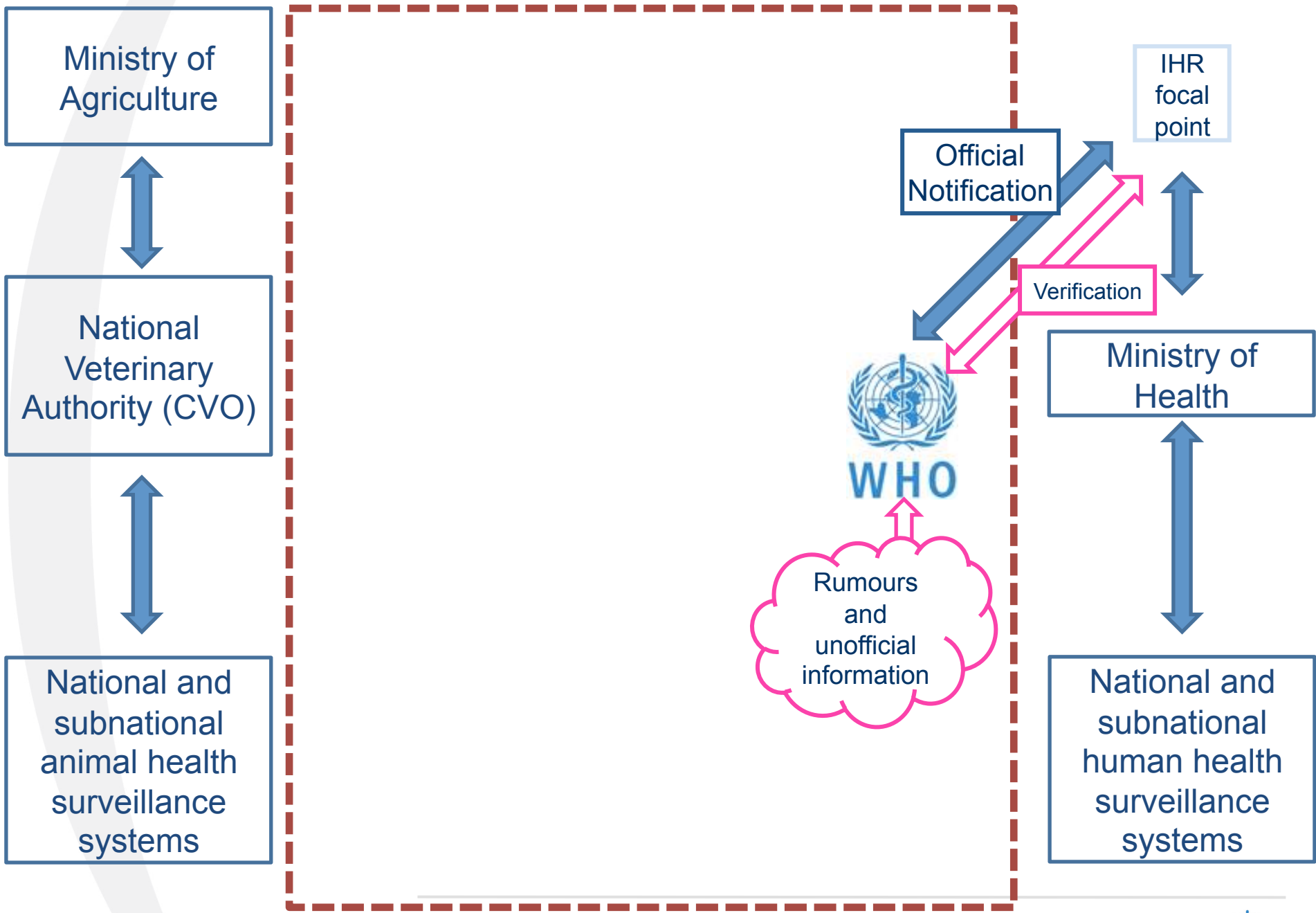
Current State of Global Surveillance : Public Health, Animal Health and the Interface

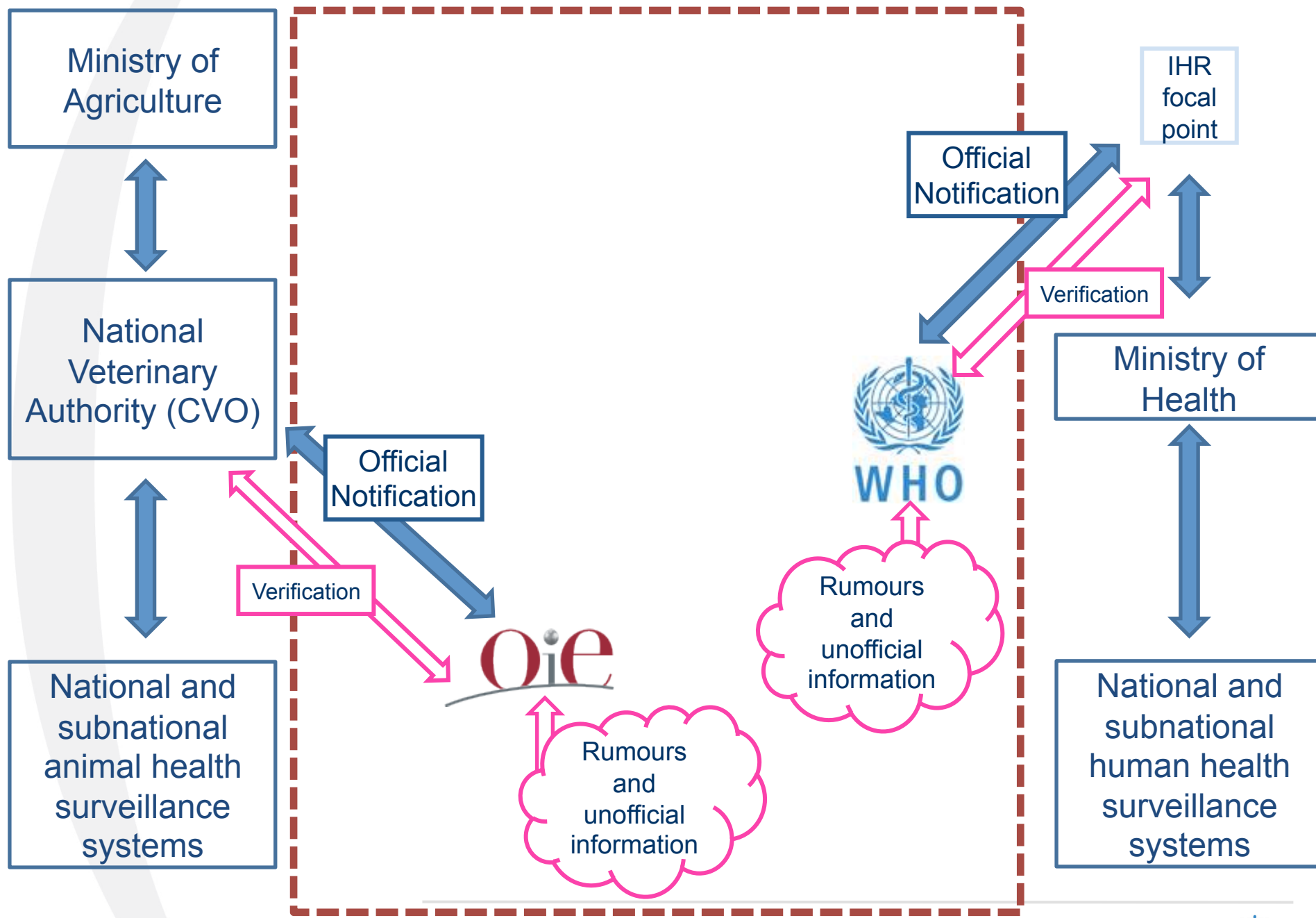
Elizabeth Mumford
World Health Organization

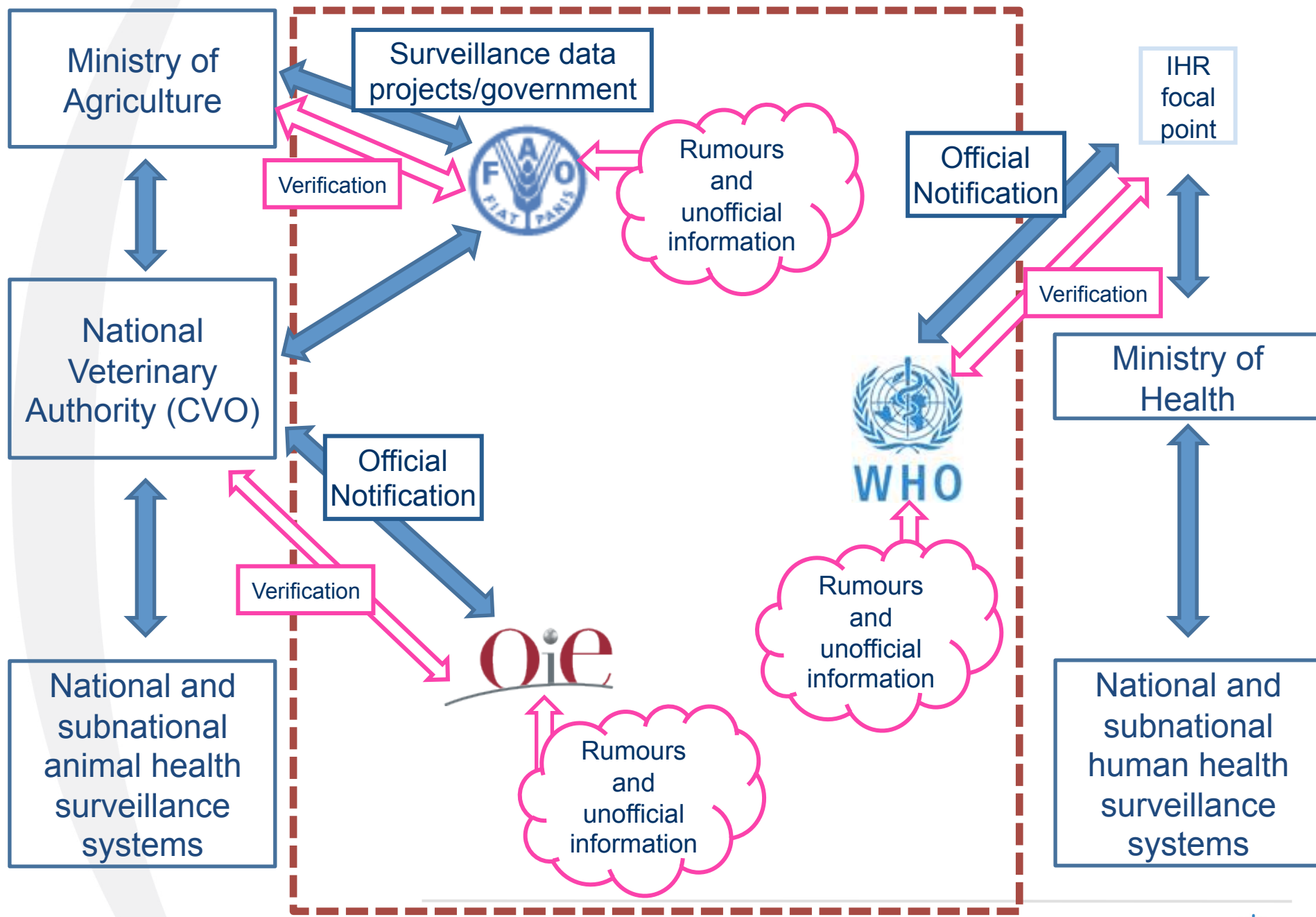
Prince Mahidol Award Conference
Bangkok, Thailand,
31 January 2013

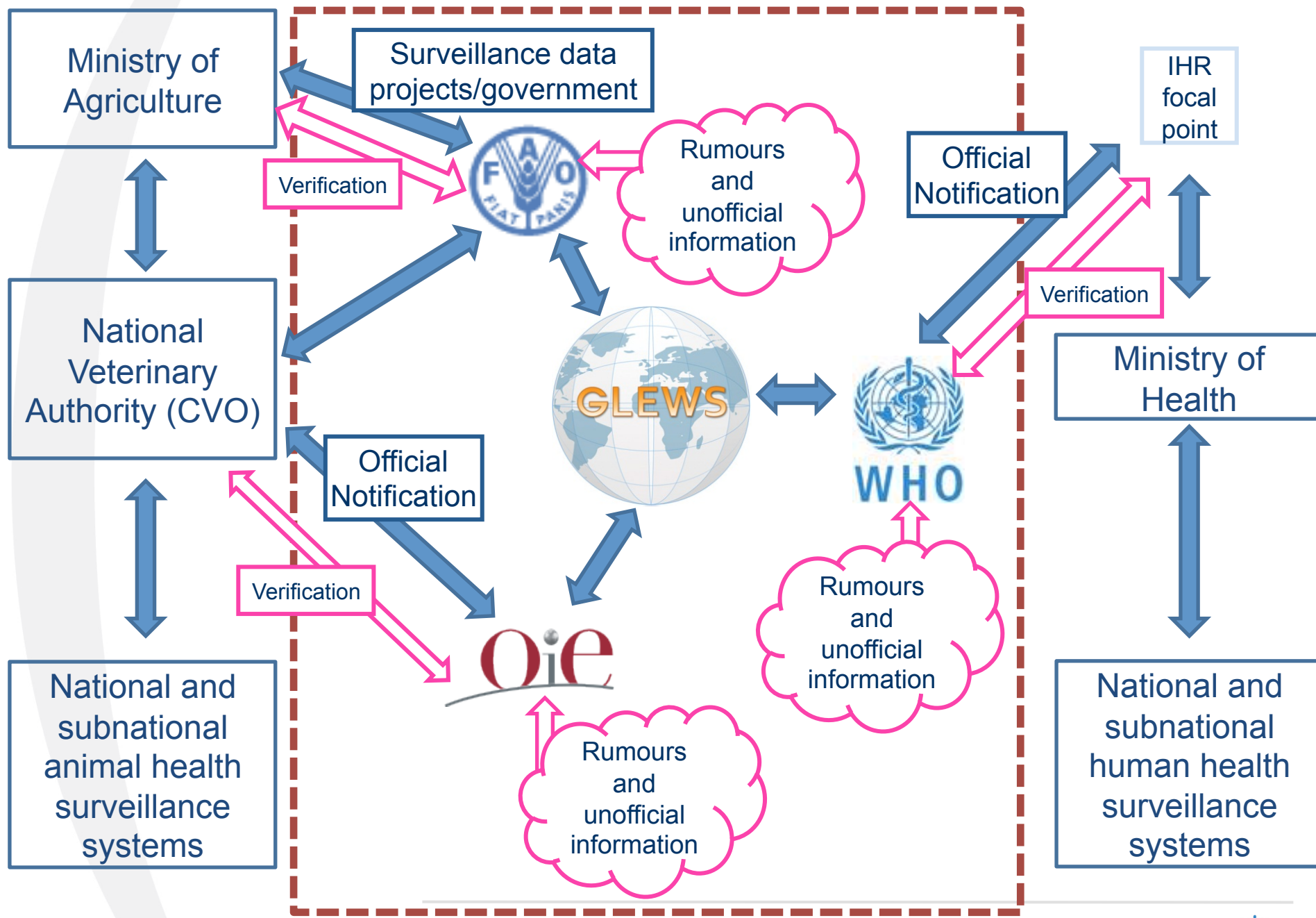












Main Messages

- Strong and effective unisectoral surveillance systems → then collaborate cross-sectorally
- Assessment and response: “information for action”
- Substantial constraints to the effective functioning of surveillance systems
- Mechanisms to communicate information to others who may need it, and to field level

